

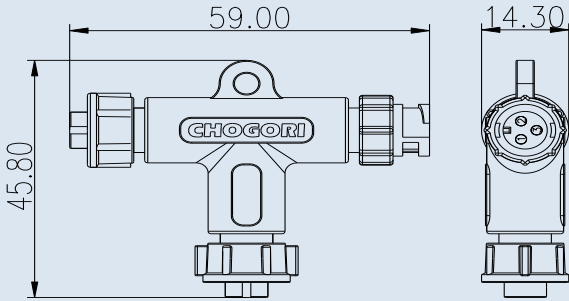
T ADAPTER SERIES

CHOGORI

T Adaptor Series Specifications

Mini Series

Description	Lock Type/Screw Type T Adaptor
Figure	

Drawing	
---------	---

Part-No.	Part Number
	42000000-01

Specifications	
Wire Gauge	0.5mm ² (20AWG)
Environmental Protection	IP67
Mechanical Life	500 mating cycles
Operating Temperature	- 45°C - 105°C

T ADAPTER SERIES

CHOGORI

T Adaptor Series Specifications

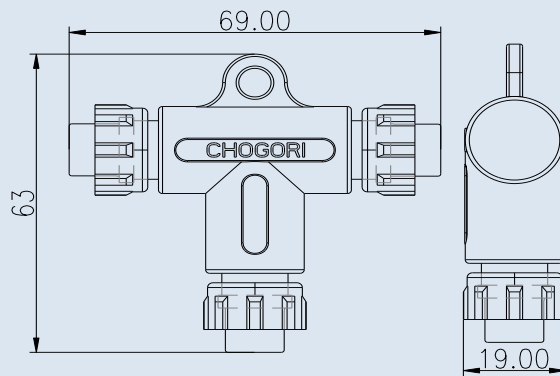
Standard Series

Description Lock Type/Screw Type T Adaptor

Figure



Drawing



Part-No.

Part Number

42000000-02

Specifications

Wire Gauge	0.75mm ² (18AWG)
Environmental Protection	IP67
Mechanical Life	500 mating cycles
Operating Temperature	- 45°C - 105°C

T ADAPTER SERIES

CHOGORI

T Adaptor Series Specifications

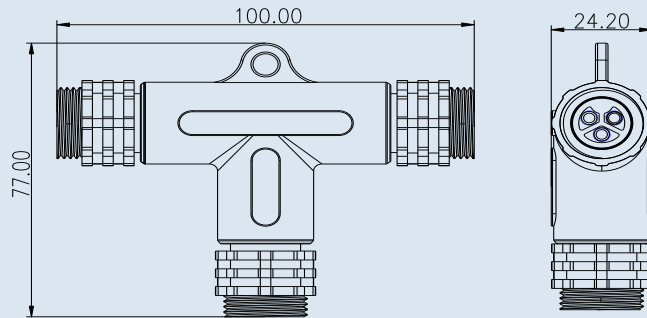
Middle Series

Description Lock Type/Screw Type T Adaptor

Figure



Drawing



Part-No.

Part Number

42000000-03

Specifications

Wire Gauge	1.5mm ² (16AWG)
Environmental Protection	IP67
Mechanical Life	500 mating cycles
Operating Temperature	- 45°C - 105°C

SPLITTER SERIES

CHOGORI

Series Specifications

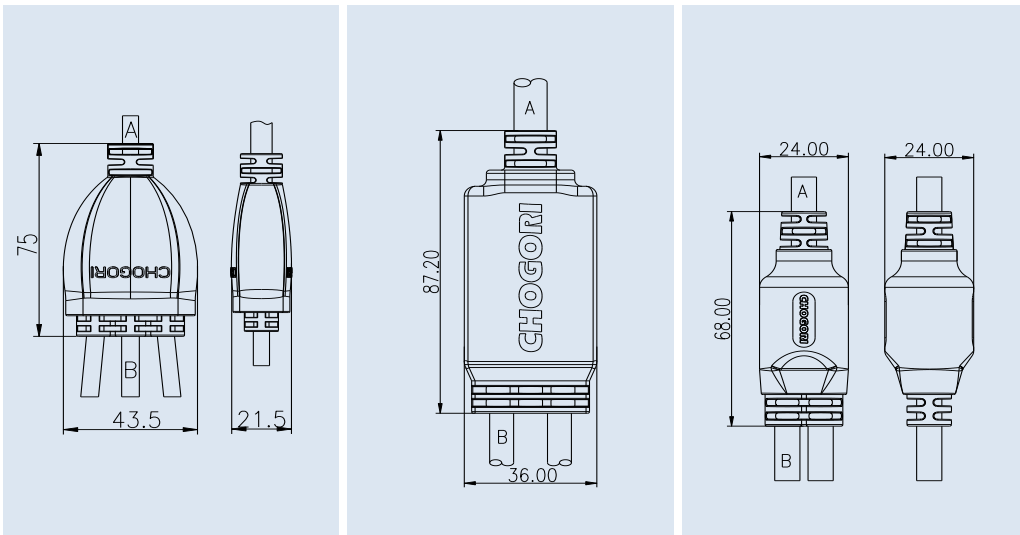
Splitter Series

Description Molded with Cable

Figure



Drawing



Part-No.	Part Number	Part Number	Part Number
	43000000-01	43000000-02	43000000-03

Specifications

Wire Gauge	1.0mm ² (18AWG)	1.0mm ² (18AWG)	1.0mm ² (16AWG)
Cable A Range	4.5mm - 9.0mm	6.0mm - 13.0mm	4.5mm - 8.0mm
Cable B Range	4.5mm - 8.0mm	4.5mm - 7.5mm	4.5mm - 8.0mm
Environmental Protection	IP65		
Operating Temperature	- 45°C - 105°C		